

SECURITY CLASSIFICATION: CONFIDENTIAL

TYPE 2J54

TUNABLE MAGNETRON

GENERAL CHARACTERISTICS

ELECTRICAL

Cathode	Coated Unipotential
Filament voltage	6.3 volts
Filament current	1.5-amps
Frequency Range	3125 - 3259 Mc
Magnetic Field Strength	1400 gauss
Peak Anode Voltage	11.6 KV
Peak Power Output	38 Kilowatts

MECHANICAL

Maximum Dimensions - see outline drawing
Base Connections - see outline drawing
Mounting Position - any

MAXIMUM RATINGS

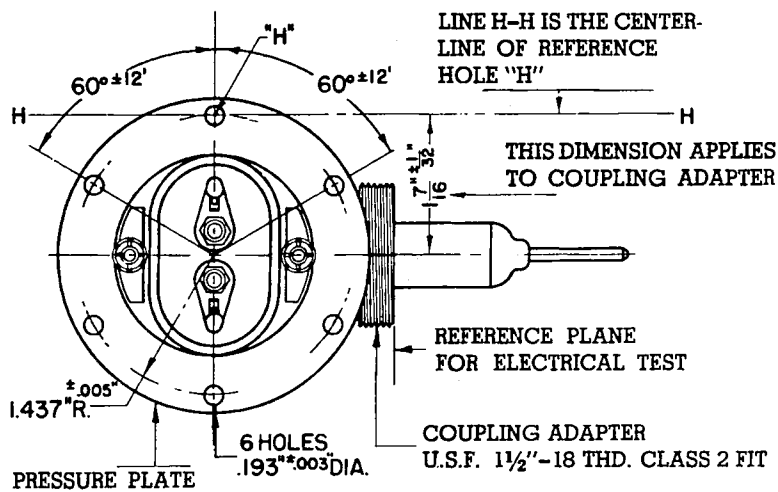
Duty Cycle *	.002
Peak anode voltage	14,000 volts
Peak anode current	1.5 amps
Average power input	250 watts
Anode temperature	100° C

* The tube shall not be operated longer than 5 microseconds in any 100 microsecond interval.

Sponsor: Raytheon Manufacturing Company - Power Tube Division
Waltham, Massachusetts

from RMA release # 456, Nov. 23, 1945

TECHNICAL INFORMATION
TUNABLE MAGNETRON OSCILLATOR
OUTLINE DRAWING



TUNING GEAR IS ASSEMBLED WITH STOP DEVICE TO PERMIT TWO TURNS (720 DEGREES) FOR TUNING

SOLDERED JOINTS IN THE PRESSURE PLATE ARE VACUUM TIGHT SO THAT IT MAY BE USED TO PROVIDE A HERMETIC SEAL. ALL POINTS ON REFERENCE SURFACE ARE FLAT TO WITHIN .010" FOR ½" IN FROM OUTER EDGE.

COMMON HEATER-CATHODE CONNECTION INDICATED BY LETTER "C"

TWO HEX. HD. PIN JACKS 19/32" LONG, LOCATED WITHIN A RADIUS OF .023" OF THE LOCATION SPECIFIED. WILL FIT STANDARD G. R. NO. 274 BANANA PINS

